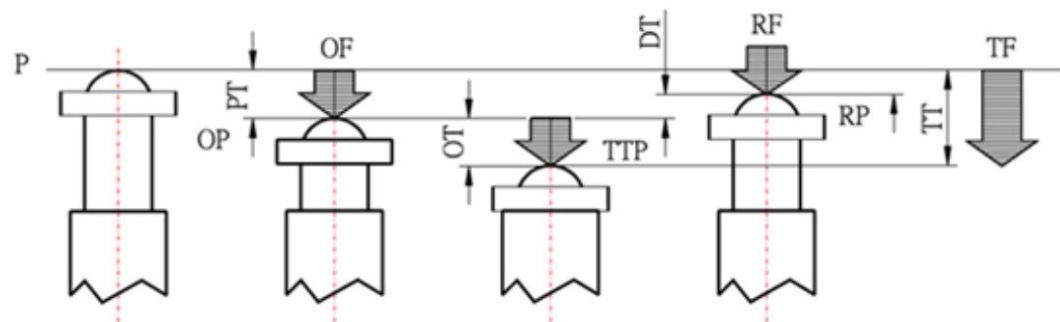
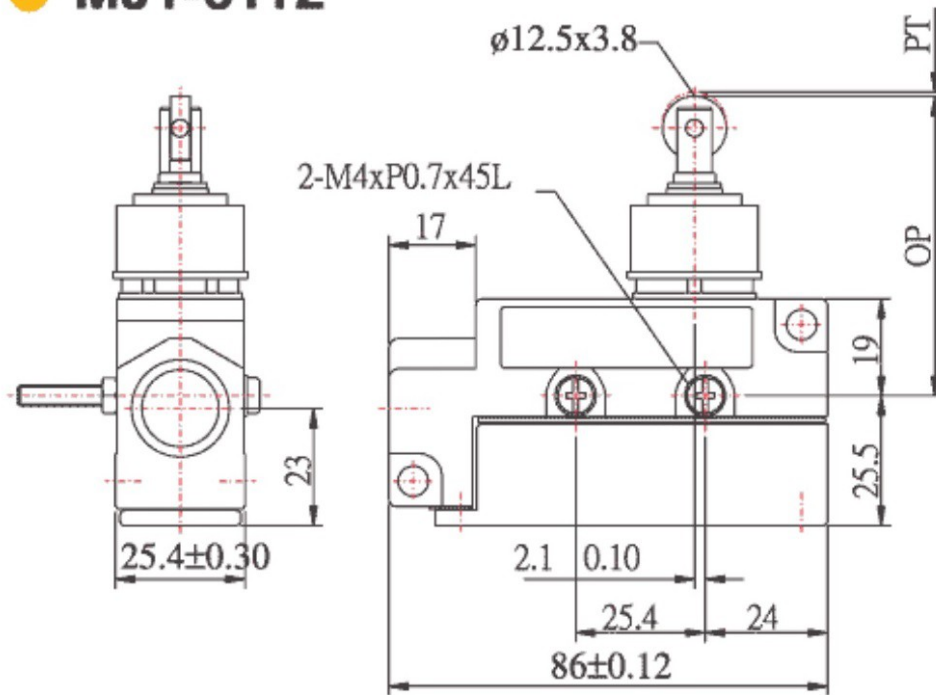


● MJ1-6112



Characteristics:

OF: Operating Force Max	500g
RF: Release Force Min	100g
PT: Pretravel Max	2mm
OT: Over Travel Min	3.5mm
DT: Differential Travel Max	0.12mm
TT: Total Travel Min	49.7 \pm 0.8mm

Ratings:

15A	125V, 250V
1/8 HP	125V AC
1/4 HP	250V AC
1/2 HP	125V DC
1/4 HP	250V DC

